

3×8



Features



- External dimensions: 3.0 x 8.0 mm.
- Frequency range: 32.768KHz.
- Frequency tolerance(standard): ±20ppm.
- Excellent Reliability Performance.
- Applications: clock and Microcomputer.

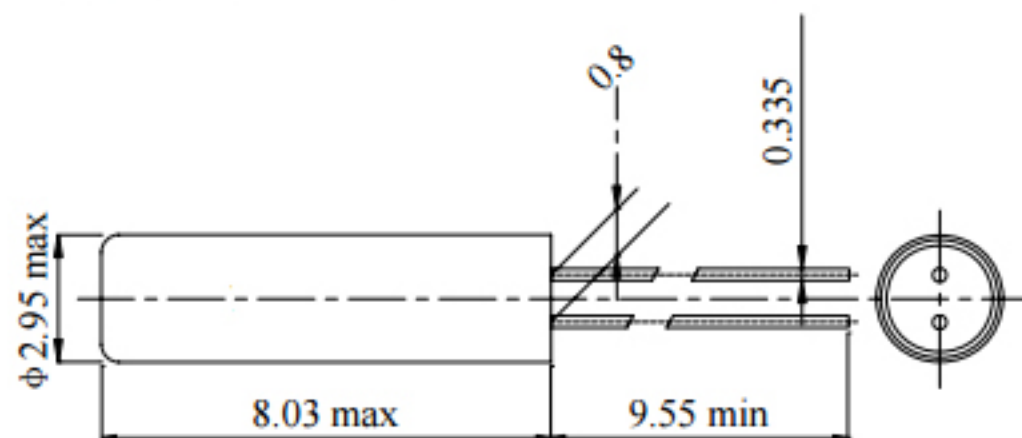
Electrical Specifications

Item / Type	3×8
Nominal Frequency Range	32.768KHz
Vibration Mode	AT Fundamental
Load Capacitance	12.5pF , or specify
Frequency Tolerance (at 25 °C)	±10 ppm, ± 20 ppm, or specify
Frequency Versus Temperature Characteristics	± 20 ppm, or specify
Operating Temperature	- 20 ~ + 70 °C , - 40 ~ + 85 °C , or specify
Storage Temperature	-40~+85 °C , or specify
Shunt Capacitance	1.8pF Max.
Level Of Drive	1 ~ 100 μW (1.0 μW Tvp)
Insulation Resistance	More Than 500MΩ at DC 100V
Frequency Aging (at 25 °C)	± 3 ppm / year Max.

Equivalent Series Resistance(ESR)

Fundamental	
32.768KHz	40 Ω Max.

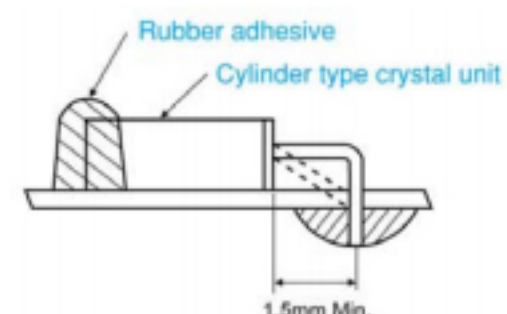
Dimensions



Units: mm(±0.1mm)

● Mounting of cylinder type products:

Soldering the body of the cylinder type crystal units with PCB must be avoided due to deteriorate the characteristics or damage the products. Rubber adhesive is recommended.



● Soldering

Lead wires should be soldered within 3 seconds with the soldering iron heated to a temperature no higher than 300°C